

## LED Compact Area Light (120-347V)



### WARNING/ADVERTENCIA/AVERTISSEMENT

To reduce the risk of electrical shock, fire, or injury to persons; read and follow all warnings and installation instructions before installing. All installation should be performed by a qualified electrician.

#### Risk of Electric Shock

Ensure power is off before installation or inspection. All wirings are performed in accordance with Electrical Code and local electrical code.

#### Risk of Fire

Fixtures are rated for use in 120-347V, 50-60Hz protected circuit and 90°C rated supply wire.

Para reducir el riesgo de descarga eléctrica, incendio o lesiones a personas, lea y siga todas las advertencias e instrucciones de instalación antes de realizarla. Toda instalación debe ser efectuada por un electricista cualificado.

#### Riesgo de descarga eléctrica

Asegúrese de desconectar la corriente antes de la instalación o inspección. Todos los cableados se realizan de acuerdo con el Código Eléctrico y el código eléctrico local.

#### Riesgo de incendio

Las luminarias están clasificadas para su uso con 120-347 V, circuitos protegidos de 50-60 Hz y cables adecuados para 90 °C.

Lisez et suivez les instructions d'installation et les avertissements avant l'installation. Toute l'installation doit être exécutée par un électricien qualifié, pour réduire les risques de choc électrique, de feu ou de blessures corporelles.

#### Risque de choc électrique

Assurez-vous que le courant soit coupé avant l'installation ou l'inspection et que tout le câblage soit effectué en conformité avec le code d'électricité et le code local d'électricité.

#### Risque de feu

Les luminaires sont conçus pour une utilisation de 120 à 347 V, pour un circuit protégé de 50 à 60 Hz et pour une source d'alimentation de 90 °C.

#### FOR YOUR SAFETY

While performing installations described, gloves, safety glasses or goggles should be worn.

#### PARA SU SEGURIDAD

Mientras realice las instalaciones descritas, se recomienda el uso de guantes y gafas de seguridad.

#### POUR VOTRE SÉCURITÉ

Vous devriez porter des gants et des verres de protection lors des installations détaillées.

Any alteration or modification of this product is expressly forbidden as it may cause serious personal injury, death, property damage and/or product malfunction.

To prevent product malfunction and/or electrical shock, this product must be properly grounded

To prevent wiring damage or abrasion, do not expose wiring to edges of sheet metal or other sharp objects.

Do not alter, relocate, or remove wiring, lampholders, power supply, or any other electrical component.

**SUITABLE FOR WET LOCATIONS.**

Cualquier alteración o modificación de este producto está prohibido expresamente, ya que puede causar graves lesiones personales, muerte, daños a la propiedad y / o mal funcionamiento del producto.

Para evitar el mal funcionamiento del producto y / o descargas eléctricas, este producto debe estar correctamente conectado a tierra

Para evitar daños en el cableado o abrasiones, no exponga el cableado a hojas de metal laminado u otros objetos cortopunzantes.

No altere, reubique o elimine cables, portalámparas, tomacorriente o cualquier otro componente eléctrico.

APTO PARA LUGARES HÚMEDOS.

Toute altération ou modification de ce produit est expressément interdite car elle peut causer des blessures graves, la mort, des dégâts matériels et / ou un dysfonctionnement du produit.



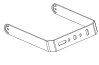
Pour éviter tout dysfonctionnement du produit et / ou un choc électrique, ce produit doit être correctement mise à la terre

Pour prévenir les dommages ou l'abrasion, ne pas mettre en contact le câblage avec des bords de plaques de metal ou tout autre objet coupant.

Ne pas modifier, délocaliser ou enlever du câblage, des supports de lampes, une source d'alimentation ou tout autre composant électrique.

CONVIENT AUX ENDROITS HUMIDES.

### INSIDE THE BOX

<p style="text-align: center;"><b>Compact Area Light</b></p> <p style="text-align: center;">with one of the mounting arms</p>	<p style="text-align: center;"><b>Mounting Arm</b></p> <div style="display: flex; flex-direction: column; align-items: center;"> <div style="display: flex; align-items: center; margin-bottom: 10px;">  <div style="margin-left: 10px;"> <p>8" Pole Mount (PM8) (P10365)</p> </div> </div> <div style="display: flex; align-items: center; margin-bottom: 10px;">  <div style="margin-left: 10px;"> <p>Slip Fitter (SF) (P10366)</p> </div> </div> <div style="display: flex; align-items: center;">  <div style="margin-left: 10px;"> <p>13" Yoke mount (YK) (P10367)</p> </div> </div> </div>
---	--

Plusrite USA  
2000 S. Grove Ave, Bldg B  
Ontario CA 91761

T:909-930-6868  
T:888-758-7443  
F:909-930-9988

www.naturaLED.com

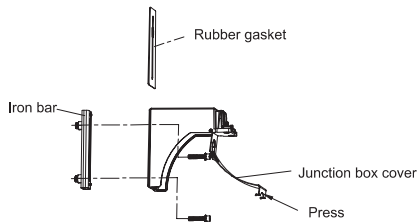
# LED Compact Area Light

## INSTALLATION/INSTALACIÓN

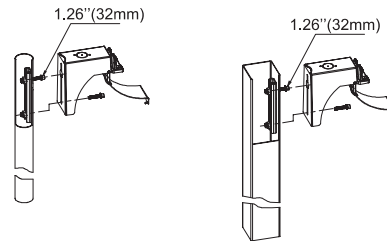
Disconnect the power before installation. Exploded view of completed assembly with component call out. 1, 2, 3, etc.  
Desconecte la alimentación antes de la instalación. Vista de despiece del conjunto completo con indicación de componentes. 1, 2, 3, etc.  
Débranchez l'alimentation avant l'installation. Vue en éclaté de l'assemblage complet, avec le nom des composants. 1, 2, 3, etc.

### 8 inch Pole Mount (P10365)

Step1: Unscrew the screws with a screwdriver, remove the iron bar, press junction box cover of Pole Mount bracket to open it.



Step 2: Put the iron bar inside of pole, fix it with a screw, but reserve gaps of 32mm, pass the Pole Mount bracket through the screw and hang it on the screw, tighten this screw, pass the 2nd screw through the holes of Pole Mount bracket, pole and iron bar, then tighten it with a wrench.



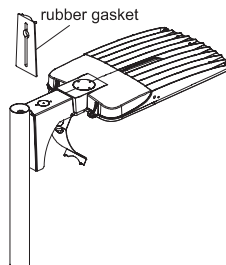
Step3: Run the fixture's input wire through the Pole Mount bracket.



Step 4: Hang the fixture on Pole Mount bracket, lock the fixture by tightening screws through bracket with allen wrench.



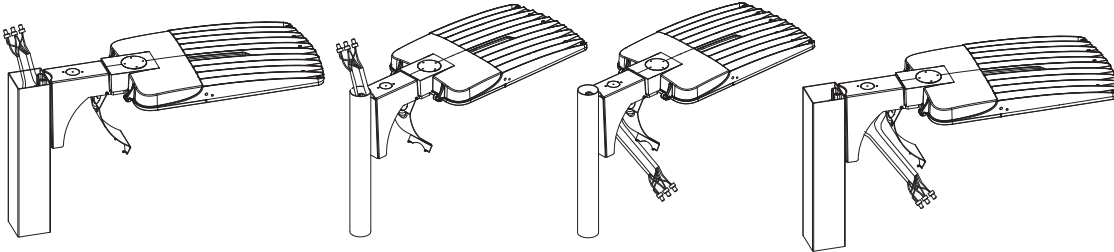
Note: When installing on a round pole, please remove the rubber gasket.



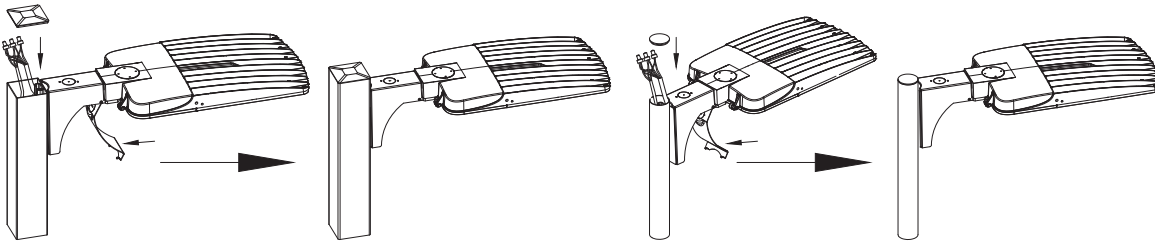
## LED Compact Area Light

### 8 inch Pole Mount (P10365)

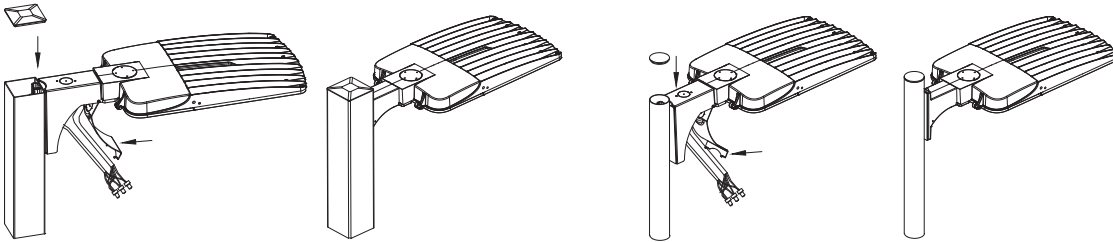
Step 5 : Get the fixture's input wire through out the wiring hole into pole, connect wires inside pole, or the wires out from pole pass through wiring hole into junction box for connection. Close the pole's top cover, as well as junction box cover.



Step 6: 1). Push the connected wires inside of the pole, close the pole's top cover, close the Pole Mount junction box cover.

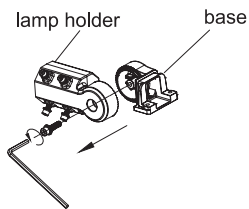


Step 6: 2). Put the connected wires into the Pole Mount junction box, close the junction box cover, close the pole's top cover.

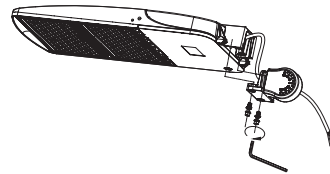


### Slip Fitter (P10366) 2.5" inner Diameter

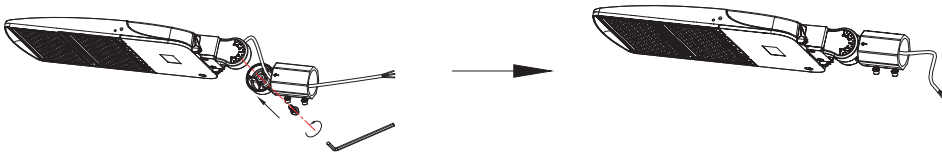
Step 1 : Disassemble the Slip Fitter with a wrench.



Step 2: Run the fixture's AC input wire through the base, then tighten screws to assemble fixing base to fixture body.

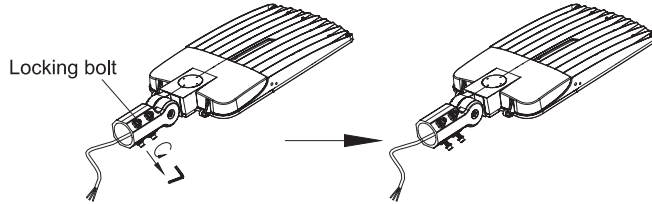


Step 3: Run the fixture's input wire through the lamp holder and lock it.

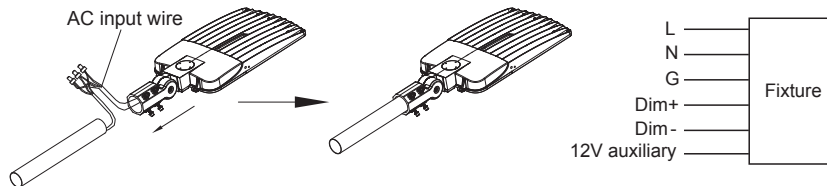


## LED Compact Area Light

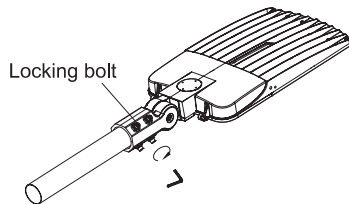
Step 4: Loosen the 4 locking bolts on the Slip Fitter by a wrench.



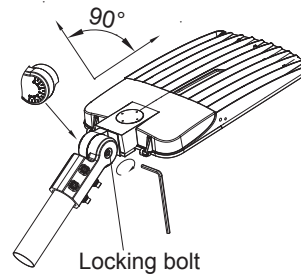
Step 5: Connect the fixture's AC input wire to pole-wire with connectors, L to L (black), N to N (White), G to G (Green); If need to connect dimming wires, please also use the connector to connect "Dim +"(purple) to "Dim +"(purple), "Dim -"(gray) to "Dim -"(gray).



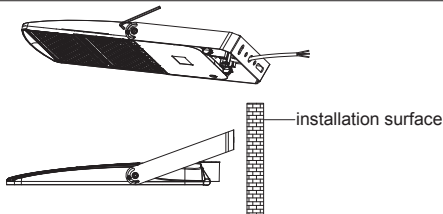
Step 6: Tighten the 4 locking bolts.



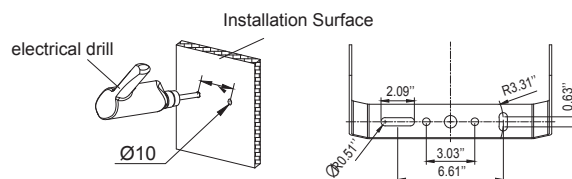
Step 7: Loosen the locking bolt in the Slip Fitter by a wrench to adjust fixture to a appropriate angle, adjustable angle range  $\geq 90^\circ$ , then tighten this locking bolt.



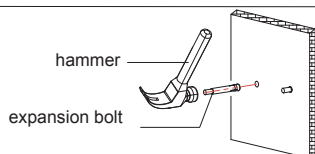
## Yoke (P10367) 13"



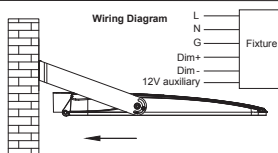
Step 1 . Loosen the screws on both sides of the bracket with a wrench, adjust Yoke bracket's angle to keep parallel with its installation surface.



Step 2 . Mark the fixing holes locations on the wall with Yoke bracket, then drill the hole in 10mm diameter with an electric drill.



Step 3 : Knock the two expansion bolts(not included) into wall with ahammer.



Step 4: Install the Yoke bracket to the wall with expansion screw by tightening the nut with a wrench. Connecting fixture AC input wire to L N G, then make waterproof processing to joints, put wires into junction box.

Note: The adjustable angel range is 0-180 °.